

# PROGRAM HIGHLIGHTS

## THE COMPLETE SOLUTION FOR YOUR REMANUFACTURED DRIVETRAIN NEEDS

All product lines feature all makes and models, light to heavy duty applications, with the latest OEM upgrades. Every remanufactured unit is 100% tested.

## SUPPORT TO GROW YOUR BUSINESS

- No Minimum Order required.
- Eligible for Quick-ship (Blanket PO 938US0).
- Will-call available for any location.
- Third-party drop-ships allowed.
- 95% of stocked unit orders shipped same day.
- All Freight is prepaid.
- Integrated and over-the-counter warranty.
- For more information access G-13-10520-D.

## ALLISON AUTHORIZED

- 1 of 2 Independent Remanufacturers with direct relations with Allison.
- Allison Trained Technicians.
- 100% Genuine Allison content.
- 2 dedicated facilities totaling 55,000 sq. ft.
- Use of Allison specifications and gauging.
- 100% dynamometer tested.

## OFFERING

Manual transmissions, automated manual transmissions, Allison and light duty automatic transmissions, steering gears, boxes and pumps.



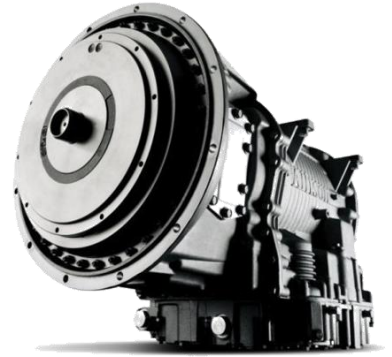
For Orders, Tech Support, Core Processing/Shipment and Warranty Administration:

Phone: 833.278.5990

Email: [RENEWEDdrivetrain@Navistar.com](mailto:RENEWEDdrivetrain@Navistar.com)

# RENEWED<sup>TM</sup> Advantage

- Unique, best in class drivetrain solutions that offer quality products, extensive availability, fast nationwide delivery and technical support.
- Heavy and medium duty manual transmissions, automated manual transmissions, Allison and light duty automatics, differentials, transfer cases, and steering gears.
- RENEWED drivetrain products are completely remanufactured, not just repaired, rebuilt or reconditioned.
- All products are backed by an International<sup>®</sup> warranty.
- An Allison authorized rebuilder.
- All RENEWED Allison transmissions are built in a dedicated facility to Allison specifications with 100% genuine Allison components.
- Every transmission is 100% disassembled. Each part is thoroughly cleaned, individually inspected and measured to exact OEM specifications.
- Our world-class remanufacturing process turns out a high-quality remanufactured transmission. This allows us to maintain low failure rates, giving you the longest warranty, best service and the least amount of down time - resulting in more profits for you.

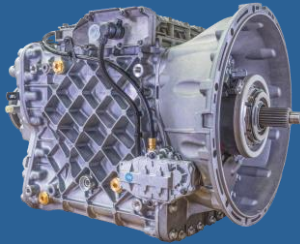


For Orders, Tech Support, Core Processing/Shipment and Warranty Administration:

Phone: 833.278.5990

Email: [RENEWEDdrivetrain@Navistar.com](mailto:RENEWEDdrivetrain@Navistar.com)

## WHEN IT COMES TO AUTOMATED MANUAL TRANSMISSIONS (AMT) IT'S TIME TO ADAPT TO A RENEWED WAY OF THINKING



Mack mDrive™



Volvo I-Shift



Eaton AMT



Eaton Endurant  
*Coming soon*



Detroit DT12  
*Coming soon*

AMTS MAXIMIZE FUEL ECONOMY AND DRIVER COMFORT.  
RENEWED INCREASES YOUR INITIAL INVESTMENT LONGEVITY BY  
OFFERING REMANUFACTURED SOLUTIONS.

- All units are completely disassembled, cleaned, and remanufactured.
- The parts and components undergo a stringent inspection process.
- All parts measured to the quality specifications set by the original equipment manufacturer.
- Includes the latest high range drum, range clutch, engaging ring and synchronizer ring updated by engineering.
- All critical components and “high wear” items are replaced.
- Backed by a two-year warranty that includes 100% replacement of bearings, seals, gaskets and speed sensor.
- 100% dynamometer tested to ensure quality, efficiency and uptime to minimize the impact to your bottom line.

For Orders, Tech Support, Core Processing/Shipment and Warranty Administration:

Phone: 833.278.5990

Email: [RENEWEDdrivetrain@Navistar.com](mailto:RENEWEDdrivetrain@Navistar.com)

## POPULAR PART NUMBERS

PART NUMBER	DESCRIPTION
RAT29557127	RENEWED Allison Transmission – Genuine 1000 Series
RAT29544719	RENEWED Allison Transmission – Genuine 2000 Series
RAT29544743	RENEWED Allison Transmission – Genuine 2000 Series
RAT29544718	RENEWED Allison Transmission – Genuine 2000 Series
RAT29549626	RENEWED Allison Transmission – Genuine 3000 Series
RAT29549637D	RENEWED Allison Transmission – Genuine 4500 Series
RAT29514624	RENEWED Allison Transmission – Genuine AT 545 Series
RAT29514623	RENEWED Allison Transmission – Genuine AT 545 Series
RAT29549630	RENEWED Allison Transmission – Genuine B400R Series
RHTFRO16210CP	RENEWED Heavy Duty Transmission – Eaton XS Pump
RMTFS6406N	RENEWED Medium Manual Transmission – Mid Range
RMTESO667B74207	RENEWED Medium Manual Transmission – TTC 175 118 43
RLDT8224AA	RENEWED Light Duty Transmission – 6L90
RRDRD20145R358	Meritor Rear Differential
RRDDS404R355	Dana Rear Differential
RSGHD94PQ3	RENEWED Steering Gear
RSGM100PMT3	RENEWED Steering Gear - Sheppard
RSGTAS66001	RENEWED Steering Gear - TRW

For Orders, Tech Support, Core Processing/Shipment and Warranty Administration:

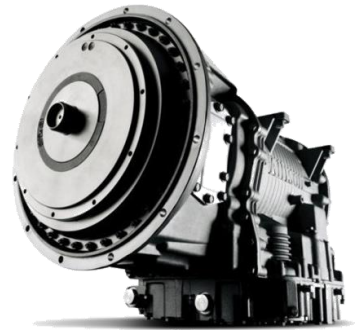
Phone: 833.278.5990

Email: [RENEWEDdrivetrain@Navistar.com](mailto:RENEWEDdrivetrain@Navistar.com)

# WARRANTY

## RENEWED DRIVETRAIN WARRANTY PROCEDURE

- The following information is needed to document your part failure:
  - Invoice number of original purchase.
  - Part and serial number of failed unit.



PRODUCT	WARRANTY	MILEAGE
Allison Transmission Models AT, MT, HT	1 year (truck) 2 years (school bus)	Unlimited
Allison Transmission Models 1000, 2000, 3000, 4000	2 years (truck) 3 years (school bus)	Unlimited
Heavy Duty Manual Transmissions *	2 years	Unlimited
Light Duty Manual Transmissions	1 year	Unlimited
Medium Duty Manual Transmissions	1 year	Unlimited
Light Duty Automatic Transmissions	3 years	100,000 miles
Transfer Cases	3 years	100,000 miles
Differentials	1 year	Unlimited
Steering Gears	2 years	Unlimited

\* Heavy duty transmissions: Eaton/Fuller Road Ranger series, Mack Synchronized series, TTC Heavy Duty series

For Orders, Tech Support, Core Processing/Shipment and Warranty Administration:

Phone: 833.278.5990

Email: [RENEWEDdrivetrain@Navistar.com](mailto:RENEWEDdrivetrain@Navistar.com)

# WARRANTY

## OVER-THE-COUNTER LABOR WARRANTY

- In the event of a failure on a unit purchased over-the-counter (OTC), please follow the standard warranty process first, and file a claim through International Truck and IC Bus.
- When the warrantied unit is received back from International or IC Bus for determination and is deemed a warrantable failure, a direct labor credit to the Dealer will be issued within 21 days, per the table below.
- It will be the responsibility of the dealer to reimburse the end-customer.

Allison Transmissions	Flat Rate Credit
Mid-Range 1K/2K/3K/AT545/MT643/MT653	\$560.00
Heavy Duty HD/HT/B SERIES	\$900.00
Light Duty Automatic Transmissions	Flat Rate Credit
Two & Four Wheel Drive	\$475.00
Transfer Cases	\$240.00
Manual Transmissions	Flat Rate Credit
Mid-Range	\$560.00
Heavy Duty	\$800.00
Automated Manual Transmissions	Flat Rate Credit
Medium Duty	\$560.00
Heavy Duty	\$800.00
Differentials	Flat Rate Credit
Front Rear	\$600.00
Rear Rear	\$600.00